

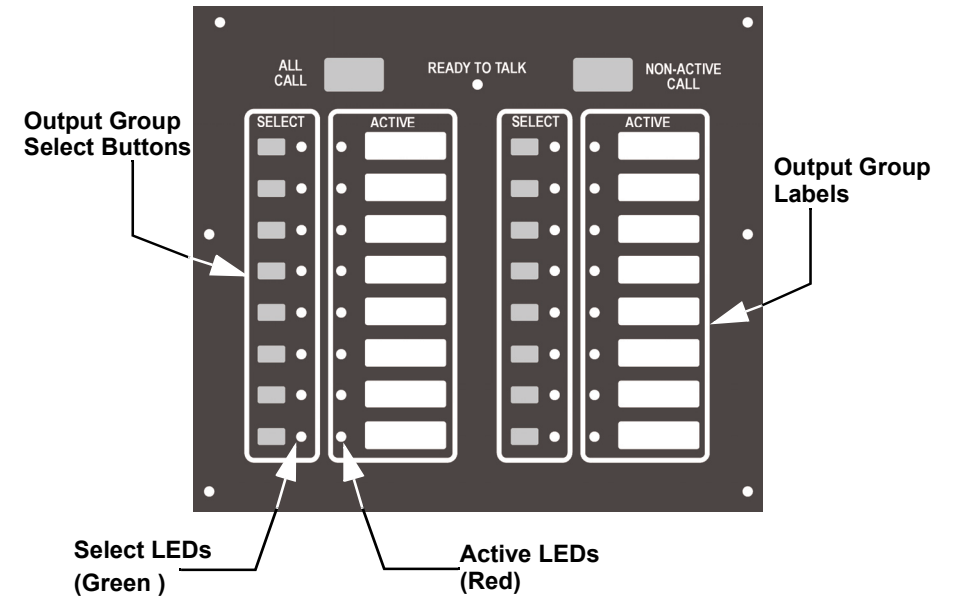


IFP-1000 Basic Operating Instructions

These instructions must be framed and displayed next to the IFP-1000 panel in accordance with NFPA 72 fire code for Local Protected Fire Alarm Systems.

Operation	Keystrokes
Silence alarms and troubles	Press SILENCE then rotate the key or enter a code
Reset alarms	Press RESET then rotate the key or enter a code.
Conduct a fire drill	<p>Rotate the key or enter a code then press ENTER to access the menu.</p> <p>Press 1.</p> <p>Press 1 to select Fire Drill.</p> <p>Press any key to begin the drill. To end the drill, press any key.</p> <p>To conduct a fire drill from a remote fire drill switch: Activate the switch to begin the drill; de-activate the switch to end the drill.</p>
View alarms and troubles	When the system is in alarm or trouble, press ▽ to view location and type of alarm or trouble.
View status of point	<p>Rotate the key or enter a code then press ENTER to access the menu.</p> <p>Press 2.</p> <p>Press 2 for Point Status.</p> <p>From the list that displays, select the 5815XL module where the point you want to view is located. The screen that displays tells the status of the point including whether detector sensitivity is in compliance (see below).</p>
Check detector sensitivity	<p>Rotate the key or enter a code then press ENTER to access the menu.</p> <p>Press 2.</p> <p>Press 2 for Point Status.</p> <p>From the list that displays, select the 5815XL module where the point you want to view is located. The fourth line of the display shows the sensitivity status.</p> <p>• NORMAL means the detector is in compliance with NFPA 72.</p> <p>• CAL MAINT means the detector is in compliance with NFPA 72 but maintenance should be performed soon.</p> <p>• CAL TRBLE means the detector is not in compliance with NFPA 72.</p>
Set Time and Date	<p>Rotate the key or enter a code then press ENTER to access the menu.</p> <p>Press 4.</p> <p>Make changes in the fields on the screen as necessary.</p> <p>When the time and date are correct, press ENTER.</p>
Enable / Disable point	<p>Rotate the key or enter a code then press ENTER to access the menu.</p> <p>Press 2 for Point Functions.</p> <p>Press 1 for Disable / Enable point.</p> <p>From the list that displays, press ENTER to select the 5815XL module where the point you want to disable or enable is located.</p> <p>Press ▶ to toggle the point between NORMAL (enabled) and DISABLE.</p>
View event history	Rotate the key or enter a code then press ENTER to access the menu, then press 3 to select Event History. Events will display in date order, with most recent events displaying first.

Integrated Voice Operation



LED Conditions

LED	Color	States	Meaning
Select LEDs	Green	On	When the corresponding Output Group Select Button is pressed down.
		Off	When the corresponding Output Group Select Button is deselected.
Active LEDs	Red	On	When the corresponding output group is activated by the control panel.
		Off	When the corresponding output group is not activated.
Ready To Talk	Green	On	Indicates that the user can now speak into the microphone.
		Off	Indicates that the microphone is not ready to speak into. Note: the microphone must be keyed first before the Ready to Talk LED will Light.

Operation	Task
Select Output Groups to for Microphone override.	Press the button corresponding to the output group you desire to activate with the microphone. Key the microphone, wait for the Ready-to-Talk LED to light, then deliver your verbal message.
Select all output group for microphone override.	Press the All Call button. Key the microphone, wait for the Ready-to-Talk LED to light, then deliver your verbal message.
Select all non-activated output groups for microphone override.	Press the Non-Active Call button then key the microphone. Wait for the Ready-to-Talk LED to light, then deliver your verbal message.